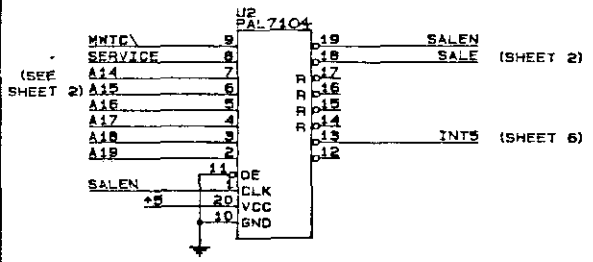
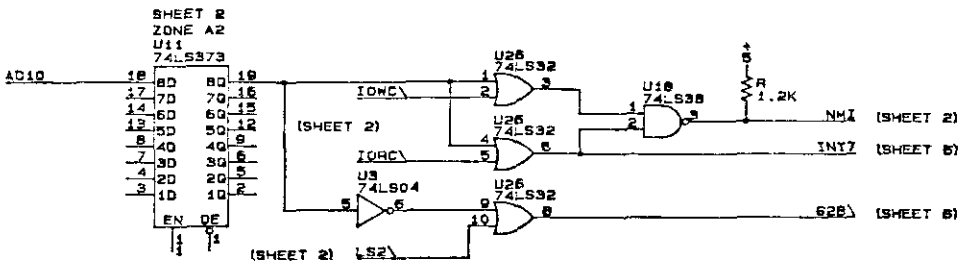


8 | 7 | 6 | 5 | 4 | 3 | 2 | 1

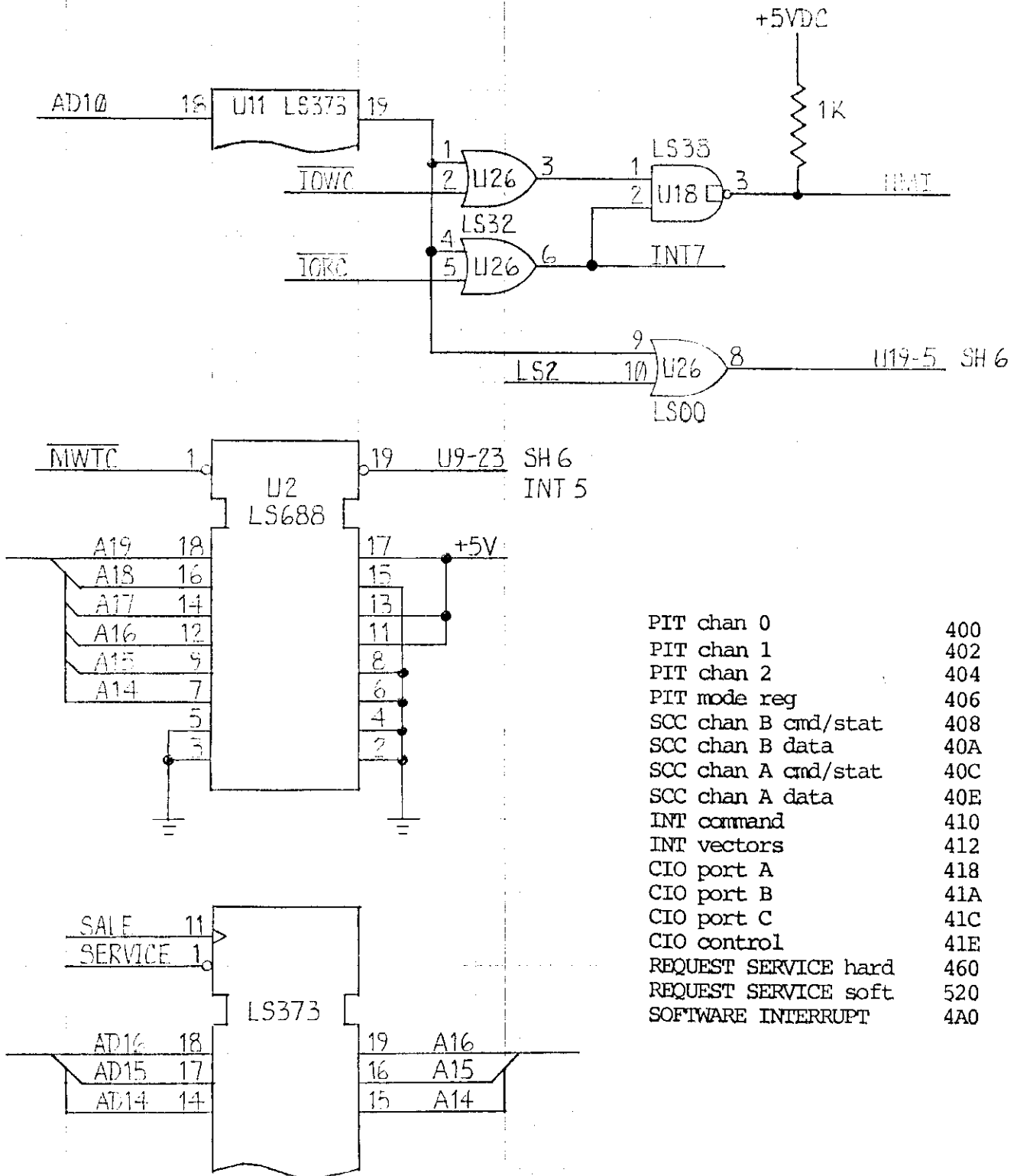


FOR COMPLETED CPS-16E:

1. REMOVE WIRE FROM U6-7 TO U11-18.
3. REMOVE WIRE FROM U3-6 TO U26-1.
4. CUT TRACE LEADING TO FEEDTHRU LOCATED (LS2) BETWEEN PINS 13 & 16 OF U9 ON SOLDER SIDE.
5. CUT TRACE LEADING UP FROM U6-32 ON COMPONENT SIDE. (NDP)
1. ADD WIRE FROM U6-8 TO U11-18. (A10)
2. ADD WIRE FROM U11-19 TO U26-1.
3. ADD WIRE FROM U20-5 TO U2-18. (SALE)
4. ADD WIRE FROM U26-10 TO U11-2. (LS2)
5. ADD WIRE FROM U26-9 TO U3-6.
6. ADD WIRE FROM U26-8 TO U19-5. (G2B)
7. SOLDER A 20-PIN SOCKET AT LOCATION U2.
8. ADD WIRE FROM U2-19 TO U2-1.
9. ADD WIRE FROM U11-12 TO U2-2. (A19)
10. ADD WIRE FROM U11-5 TO U2-3. (A18)
11. ADD WIRE FROM U11-15 TO U2-4. (A17)
12. ADD WIRE FROM U6-38 TO U2-5. (A16)
13. ADD WIRE FROM U6-39 TO U2-6. (A15)
14. ADD WIRE FROM U6-2 TO U2-7. (A14)
15. ADD WIRE FROM U11-1 TO U2-8. (SERVICE)
16. ADD WIRE FROM U20-9 TO U2-9. (MHTC)
17. ADD WIRE FROM U9-23 TO U2-13. (INT5)
18. ADD WIRE FROM U2-10 TO U2-11. (GND)

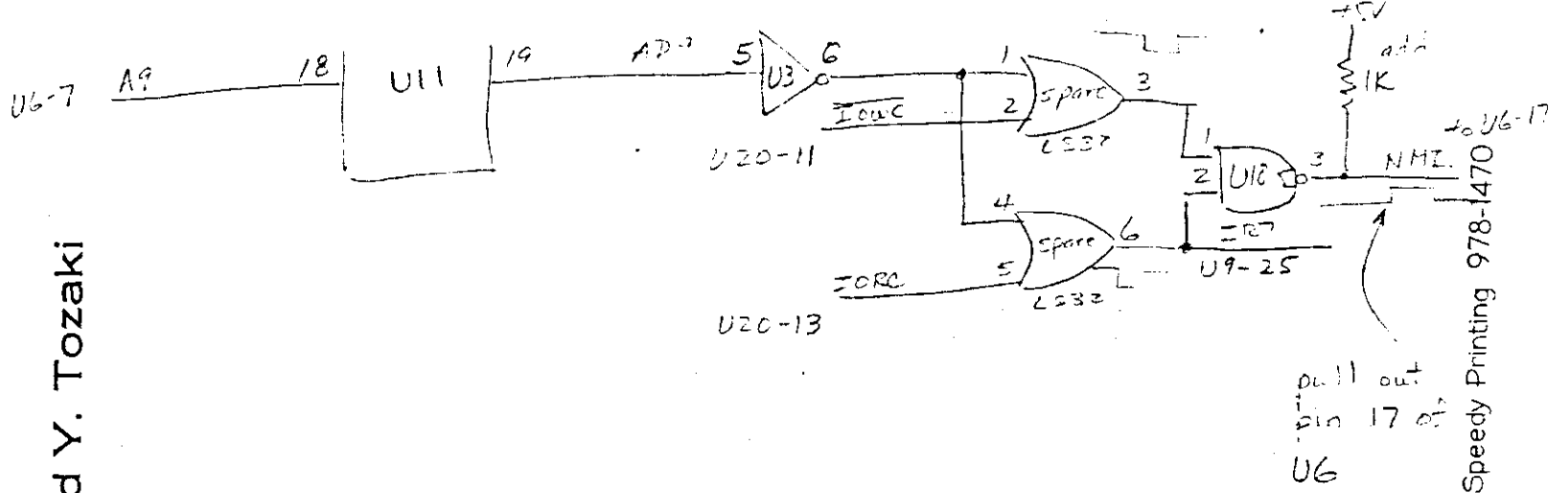
INTERCONTINENTAL MICRO, CORP.	
4015 LEAVERTON CT., ANAHEIM, CA 92807	
TITLE: SCHEMATIC/LOGIC DIAGRAM CPS-16E TO -16F UPGRADE	
D	REV A
DATE: 12/17/86	SHEET 1 OF 1

8 | 7 | 6 | 5 | 4 | 3 | 2 | 1



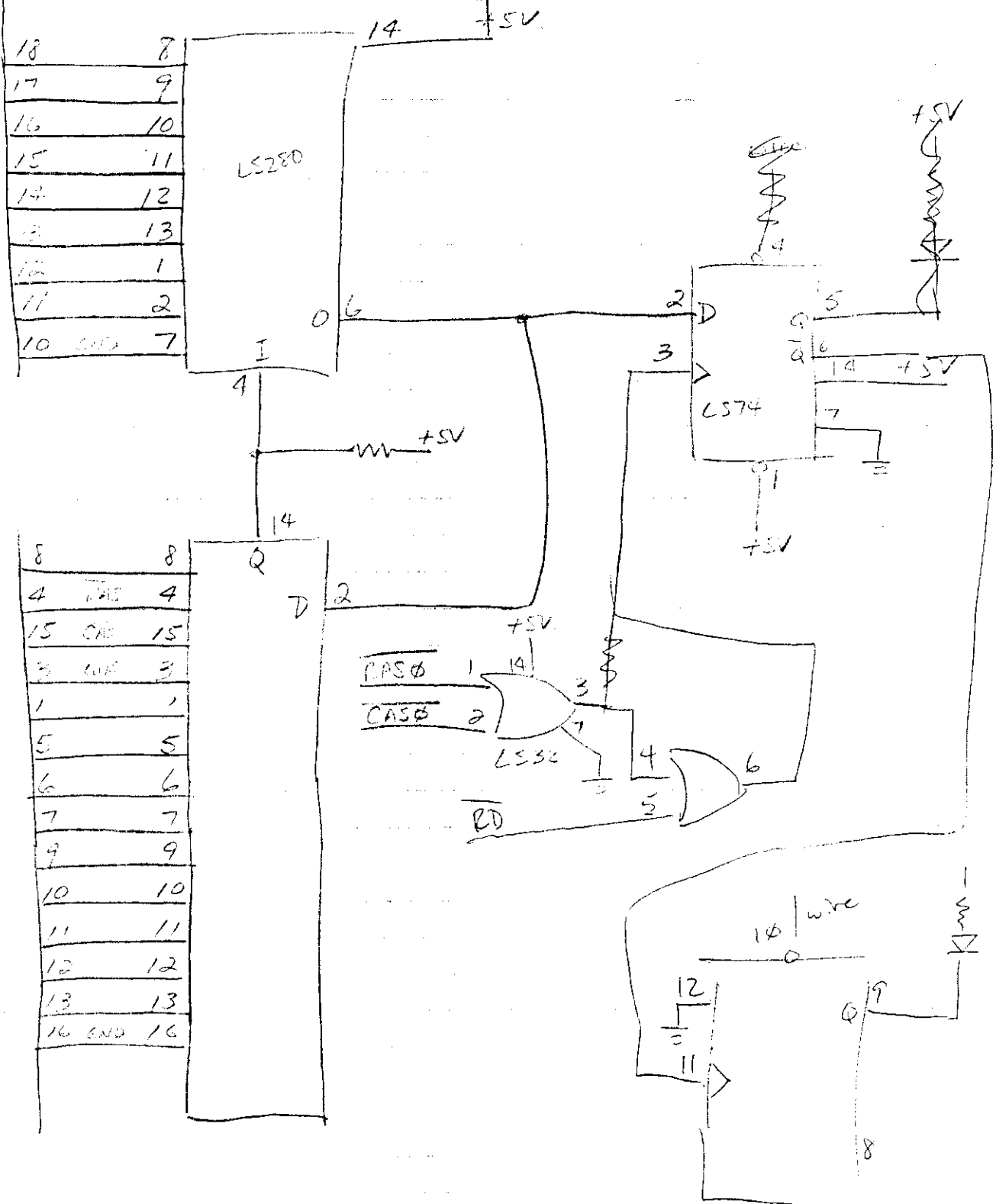
PIT chan 0	400
PIT chan 1	402
PIT chan 2	404
PIT mode reg	406
SCC chan B cmd/stat	408
SCC chan B data	40A
SCC chan A cmd/stat	40C
SCC chan A data	40E
INT command	410
INT vectors	412
CIO port A	418
CIO port B	41A
CIO port C	41C
CIO control	41E
REQUEST SERVICE hard	460
REQUEST SERVICE soft	520
SOFTWARE INTERRUPT	4A0





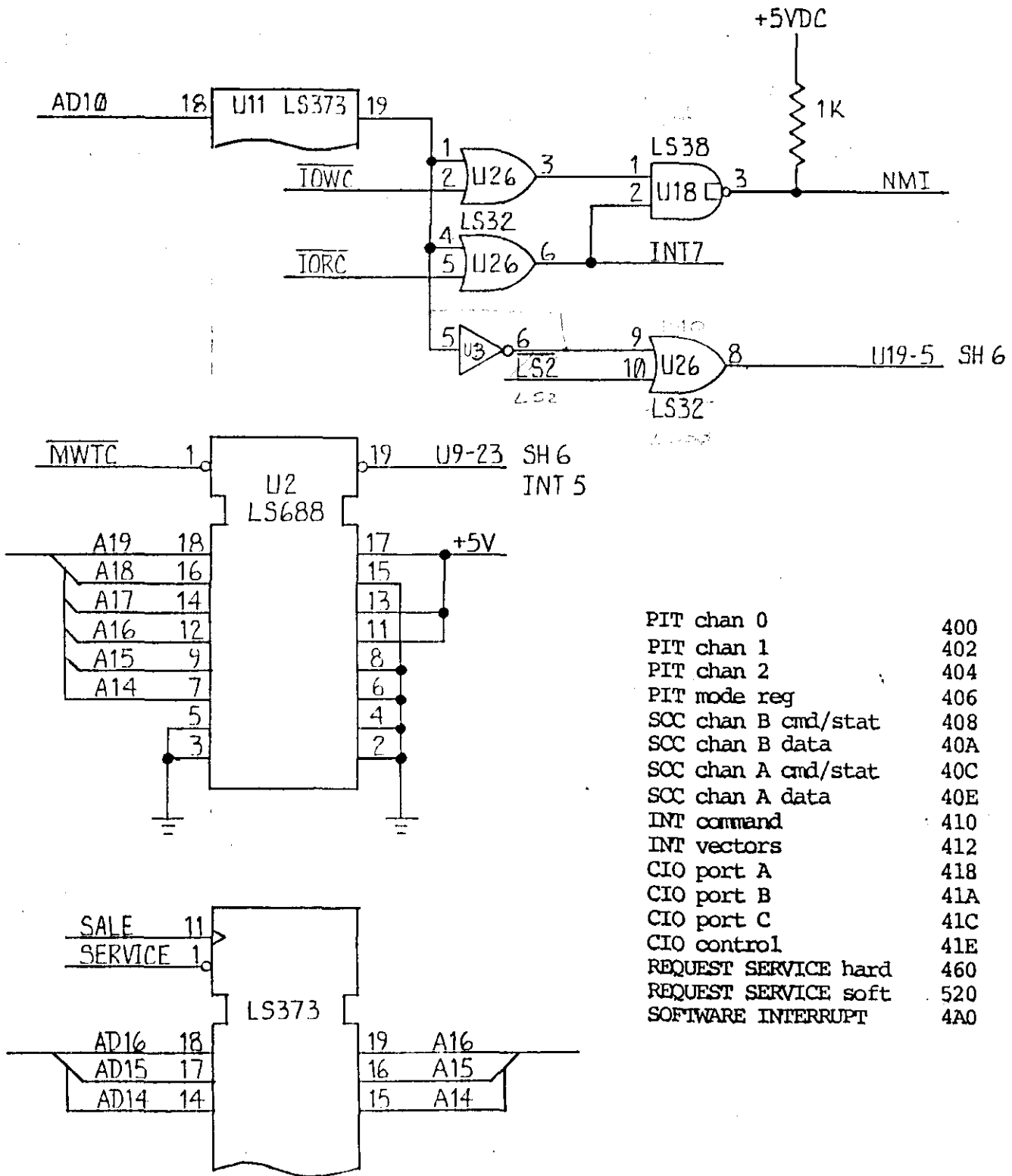
Ronald Y. Tozaki

compliments of Sir Speedy Printing 978-1470



18	8
17	9
16	10
15	11
14	12
13	13
12	1
11	2
10	7

8	8
4	4
15	15
3	3
1	1
5	5
6	6
7	7
9	9
10	10
11	11
12	12
13	13
16	16

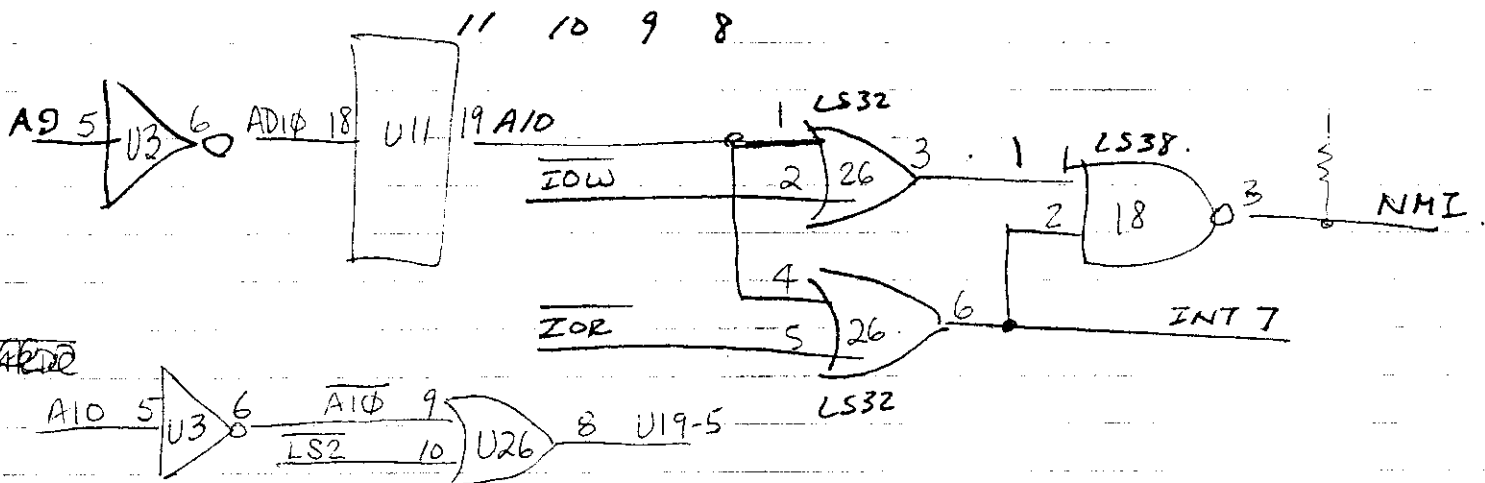


PIT chan 0	400
PIT chan 1	402
PIT chan 2	404
PIT mode reg	406
SCC chan B cmd/stat	408
SCC chan B data	40A
SCC chan A cmd/stat	40C
SCC chan A data	40E
INT command	410
INT vectors	412
CIO port A	418
CIO port B	41A
CIO port C	41C
CIO control	41E
REQUEST SERVICE hard	460
REQUEST SERVICE soft	520
SOFTWARE INTERRUPT	4A0



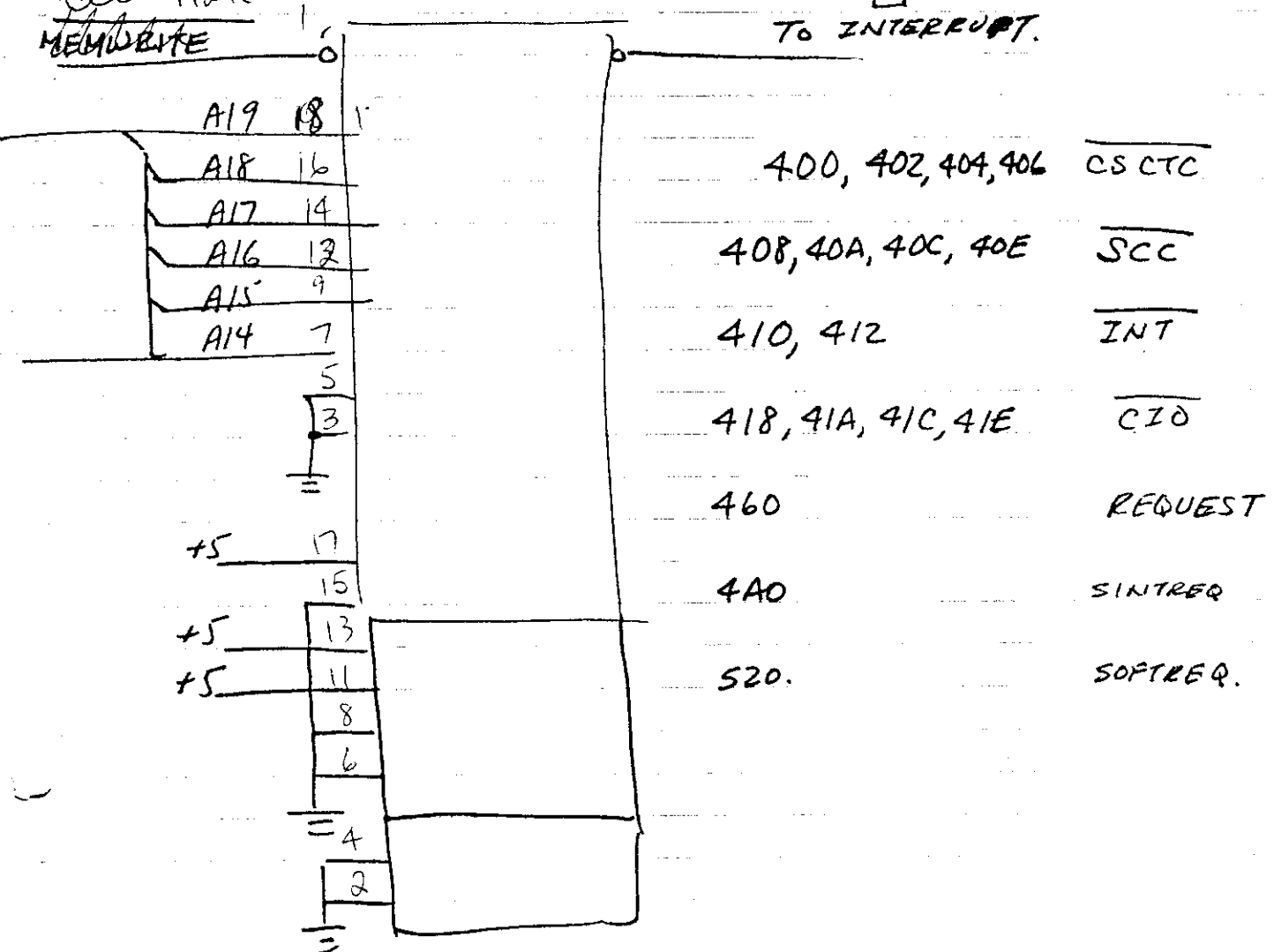
15, 14.

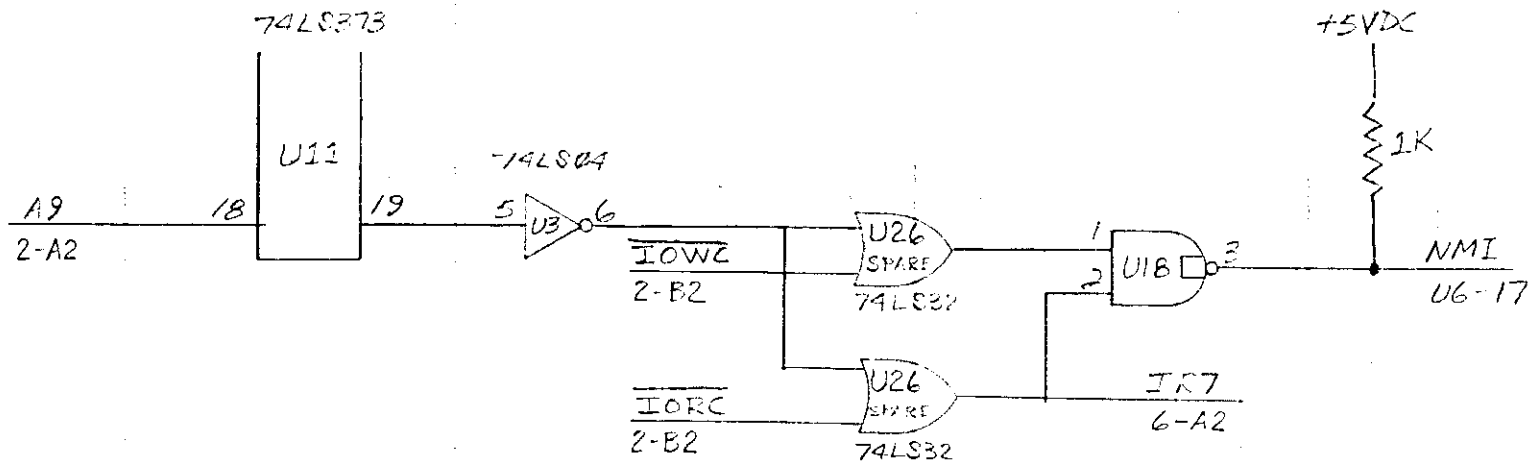
19 18 17 16. B000-BFFF interrupt on write only.



MEMWRITE

TO INTERRUPT.





CPS-16X
 UPGRADE TO REF.

MS-SLAVE UPGRADE MODIFICATIONS
FOR CPS-16X, REV C & D

- X1. a) Add one 14-pin socket to OUF.KIT. (for U26)
b) Add one 1K ohm resistor to OUF.KIT.
c) Add 74LS32 to IN.KIT. (for U26)
- X2. For flow soldering, place the 14-pin socket such that pin 7 of the socket inserts into pin 8 of the spare position U26. Reference U26 pin numbers to the 14-pin socket.
- X3. For flow soldering, place a 1K ohm resistor between the spare location pins 1 & 16 (which is just left of the socket added).
9. a) Add a jumper from U6 pin 7 to U11 pin 18. —
b) Add a jumper from U11 pin 19 to U3 pin 5. —
c) Add a jumper from U3 pin 6 to U26 pin 1 to U26 pin 4. —
d) Add a jumper from U20 pin 11 to U26 pin 2. —
e) Add a jumper from U20 pin 13 to U26 pin 5. —
f) Add a jumper from U26 pin 3 to U18 pin 1. —
g) Add a jumper from U26 pin 6 to U18 pin 2 to U9 pin 25.
h) Remove device U6.
Bend out pin 17 of U6.
Place U6 back into socket.
i) Add a jumper from U18 pin 3 to pin 1 of the spare 1K-ohm resistor, and then over to the bent out pin of U6 pin 17.
j) Add a jumper from the spare location pin 16 to U26 pin 14 which ties +5V to chip U26.

need
- 14 pin socket
- 1K Ω resistor
- 74LS32

1000